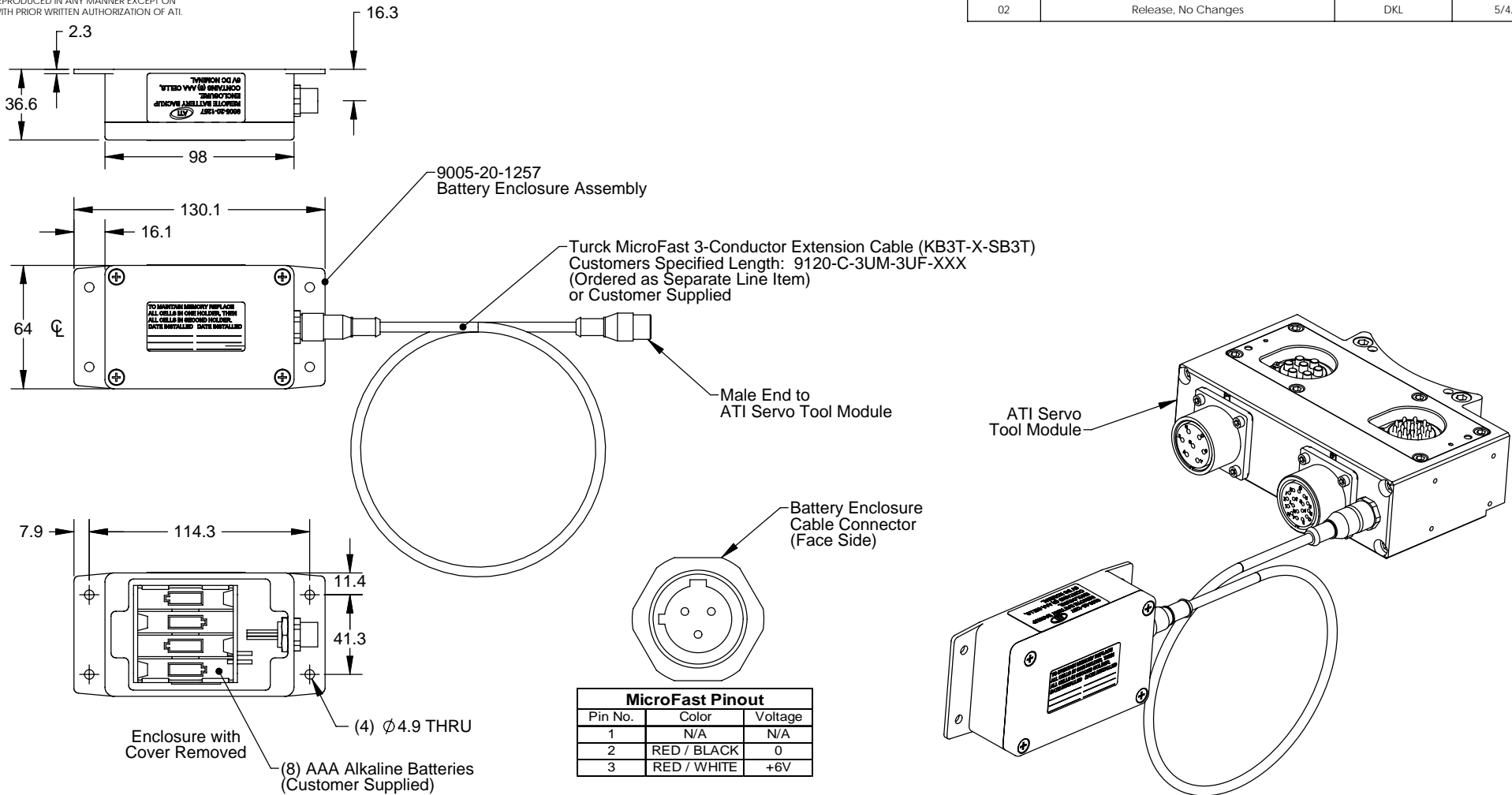


PROPERTY OF ATI INDUSTRIAL AUTOMATION, INC.
 NOT TO BE REPRODUCED IN ANY MANNER EXCEPT ON
 ORDER OR WITH PRIOR WRITTEN AUTHORIZATION OF ATI.

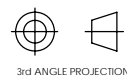
Rev.	Description	Initiator	Date
02	Release, No Changes	DKL	5/4/05



MicroFast Pinout		
Pin No.	Color	Voltage
1	N/A	N/A
2	RED / BLACK	0
3	RED / WHITE	+6V

- NOTES:
- 1) Battery enclosure is diecast aluminum with black powder paint.
 - 2) Weight given is for enclosure with batteries and 1 meter cable.
 - 3) Battery enclosure to be mounted on customer tooling in convenient location.
 - 4) Battery enclosure cover includes a seal for water resistance and a label for recording battery installation date. (Customer to supply batteries).
 - 5) Battery life is dependent on the amount of time the customer's tooling is coupled to the ATI master module and in production. Long periods without use shorten battery life. When tooling is idle, replace batteries at least every three months. When tooling is in frequent use, replace batteries at least once annually.

NOTES: UNLESS OTHERWISE SPECIFIED
 DO NOT SCALE DRAWING. DRAWN IN SOLIDWORKS.
 ALL DIMENSIONS ARE IN MILLIMETERS.



1031 Goodworth Drive, Apex, NC 27539, USA
 Tel: +1.919.772.0115 Email: info@ati-ia.com
 Fax: +1.919.772.8259 www.ati-ia.com
 ISO 9001 Registered Company

DRAWN BY: D.Lawson-3/8/05	TITLE: Servo Remote Battery Backup Module w/ MicroFast Cable		
CHECKED BY: R.Heavner-3/14/05	SCALE: 1:2	SIZE: B	DRAWING NUMBER: 9230-20-2171-02
WEIGHT LBS: .95 lbs	PRODUCT RELEASE # 041012-1 DATE: 5/4/05 SHEET 1 OF 1		
ASSEMBLY REF:			